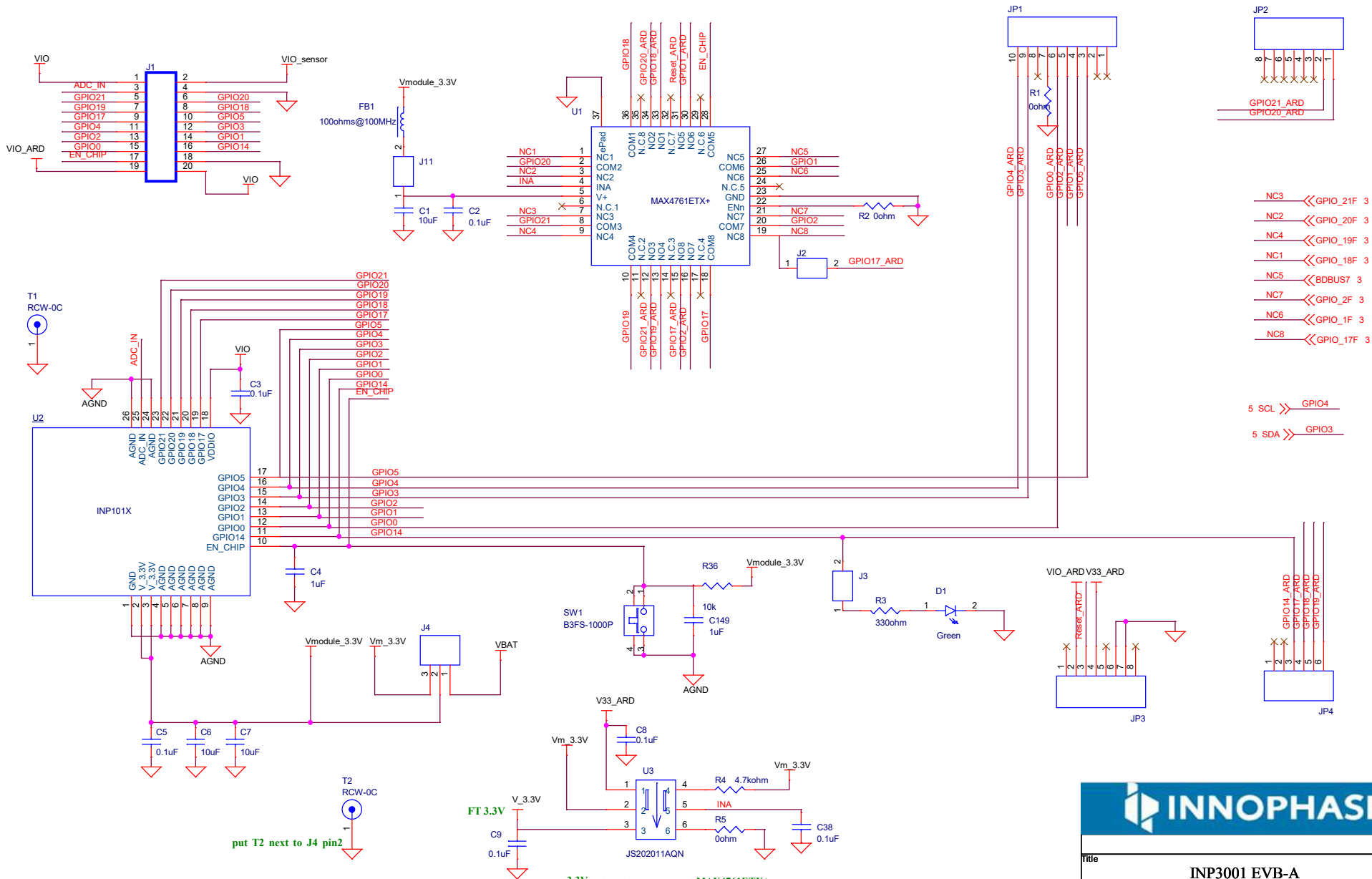
			
Title: INP3001 EVB-A			
Size: B	Document Number: INP2045-EVB-A-R01	Rev: 01	
Date: Saturday, May 30, 2020	Sheet 1 of 6		

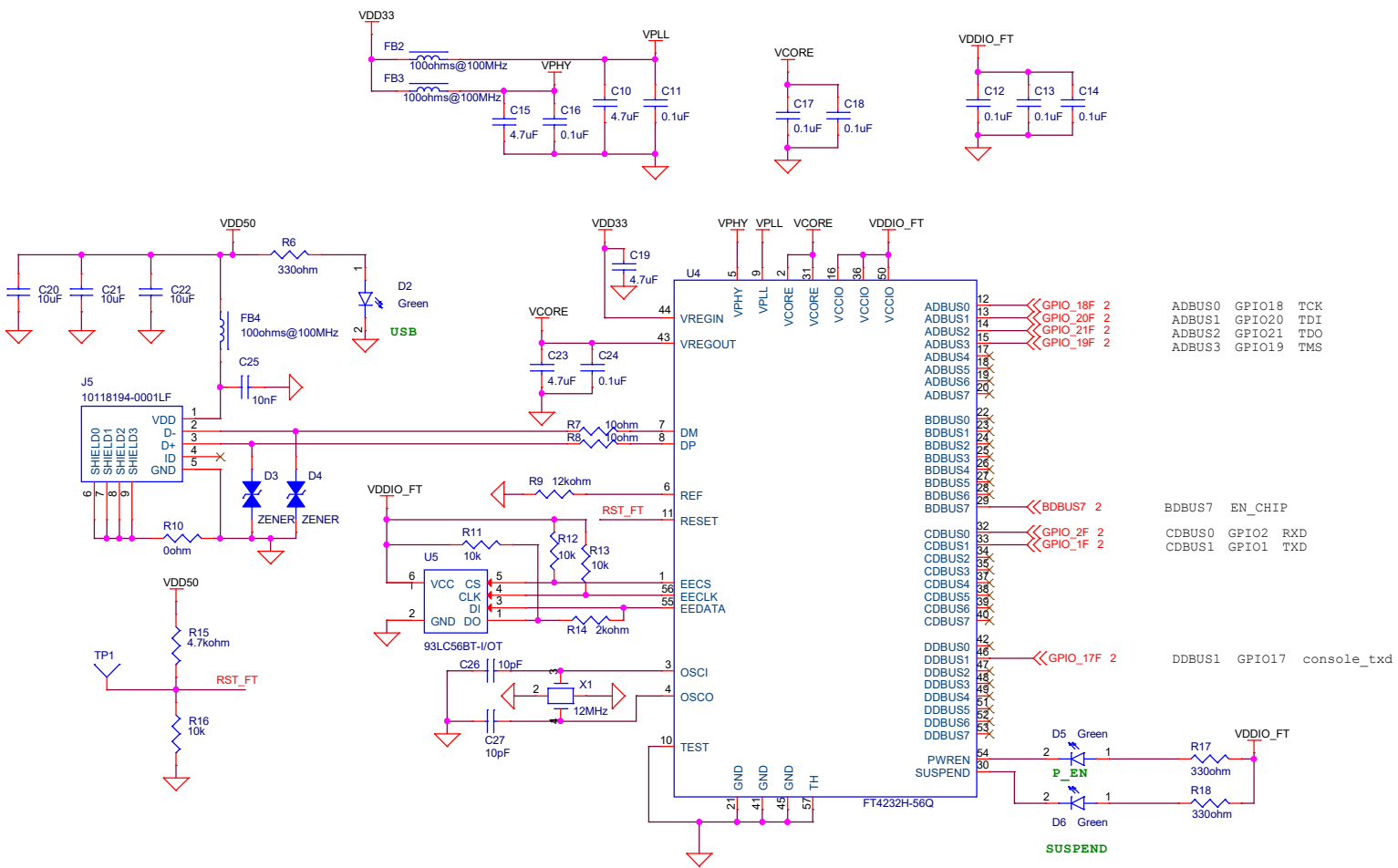


- NC3 <<< GPIO_21F 3
- NC2 <<< GPIO_20F 3
- NC4 <<< GPIO_19F 3
- NC1 <<< GPIO_18F 3
- NC5 <<< BDBUS7 3
- NC7 <<< GPIO_2F 3
- NC6 <<< GPIO_1F 3
- NC8 <<< GPIO_17F 3

- 5 SCL >>> GPIO4
- 5 SDA >>> GPIO3



Title		
INP3001 EVB-A		
Size B	Document Number	Rev 01
	INP2045-EVB-A-R01	
Date:	Saturday, May 30, 2020	Sheet 2 of 6

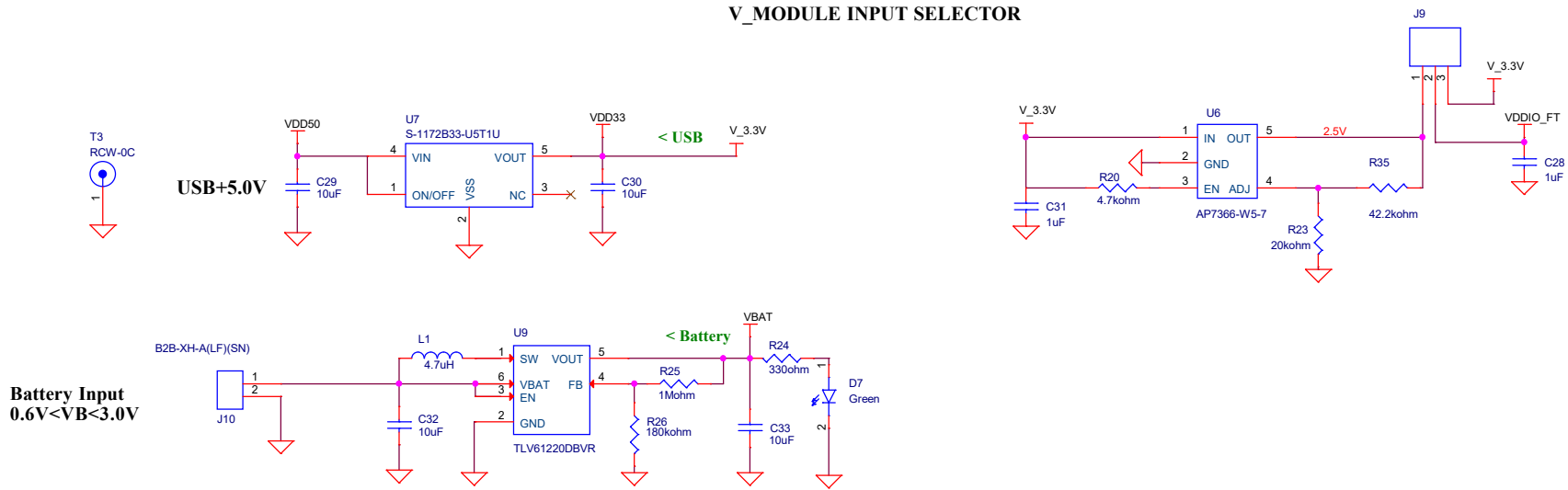


- ADBUS0 GPIO18 TCK
- ADBUS1 GPIO20 TDI
- ADBUS2 GPIO21 TDO
- ADBUS3 GPIO19 TMS
- BDBUS7 EN_CHIP
- CDBUS0 GPIO2 RXD
- CDBUS1 GPIO1 TXD
- DDBUS1 GPIO17 console_txd

USB TO GPIO INTERFACE

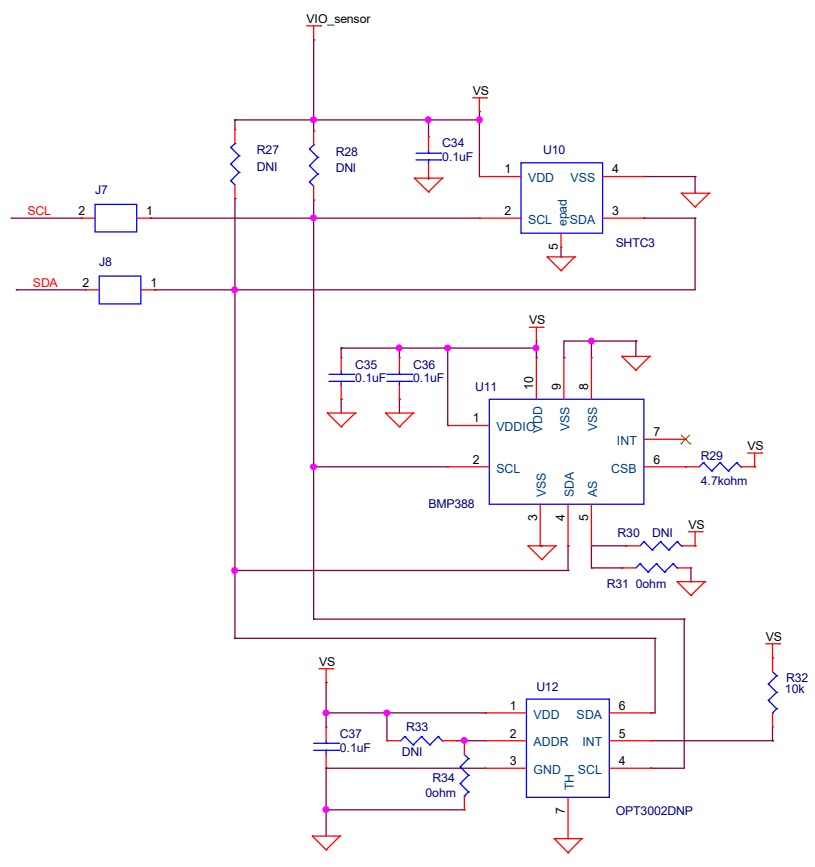
Title		
INP3001 EVB-A		
Size B	Document Number	Rev
	INP2045-EVB-A-R01	01
Date:	Saturday, May 30, 2020	Sheet 3 of 6

V_MODULE INPUT SELECTOR



Title		
INP3001 EVB-A		
Size B	Document Number	Rev 01
	INP2045-EVB-A-R01	
Date:	Saturday, May 30, 2020	Sheet 4 of 6

SCL << SCL 2
 SDA << SDA 2



Part Number	I2C address
SHTC3	0x70
BMP388	0x76
OPT3002DNP	0x44

INNOPHASE

Title: INP3001 EVB-A


Size B: Document Number INP2045-EVB-A-R01 Rev 01

Date: Saturday, May 30, 2020 Sheet 5 of 6

Sensor

Revision history:

Revision	Date	Description
rev 01	3/5/2020	first official release



INNOPHASE

Title		
INP3001 EVB-A		
Size B	Document Number INP2045-EVB-A-R01	Rev 01

Date: Saturday, May 30, 2020 Sheet 6 of 6