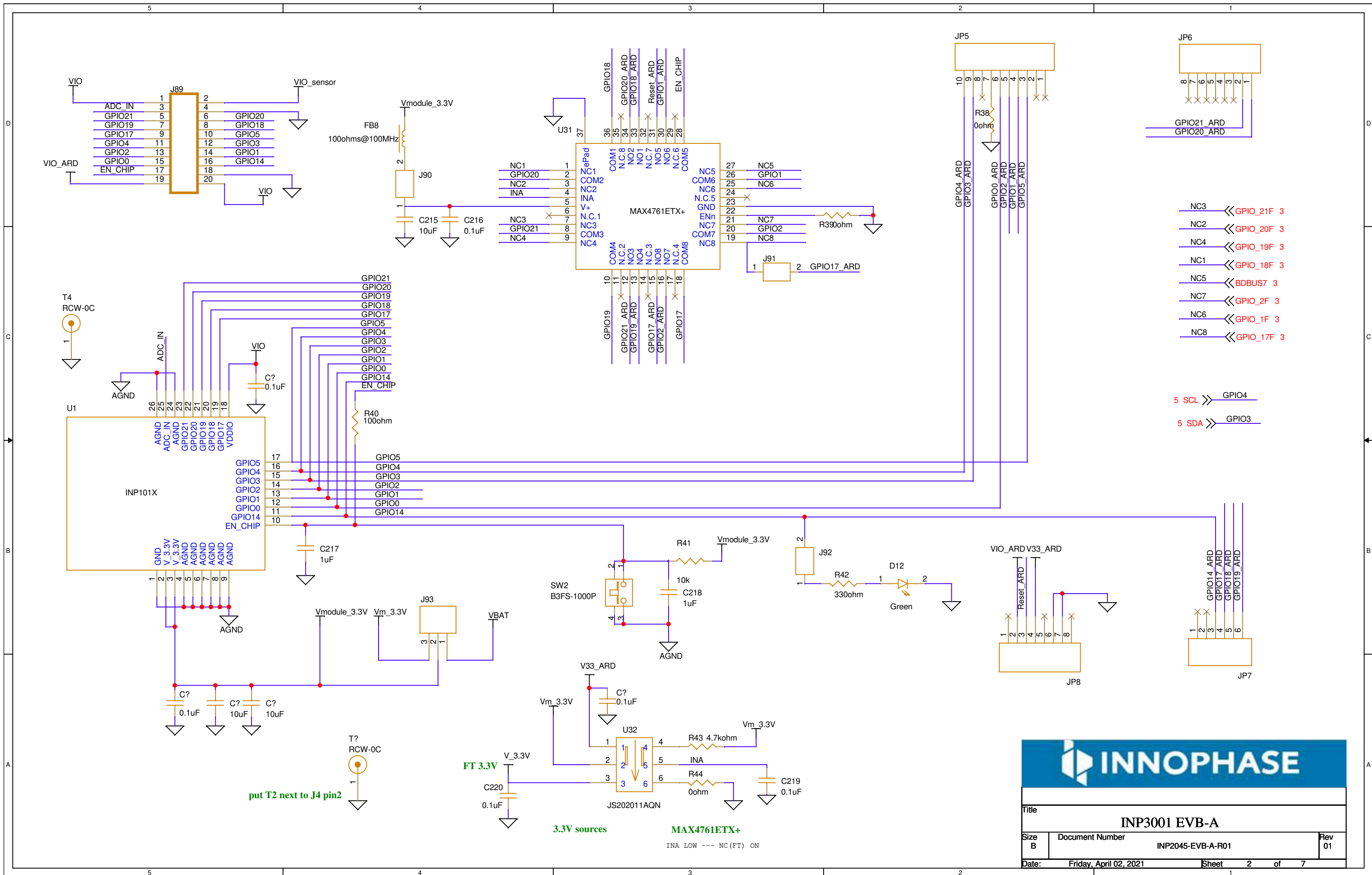


Title		
INP301x EVB-A Boards		
Size	Document Number	Rev
B	XXX	XX
Date:	Friday, April 02, 2021	Sheet 1 of 7



INNOPHASE

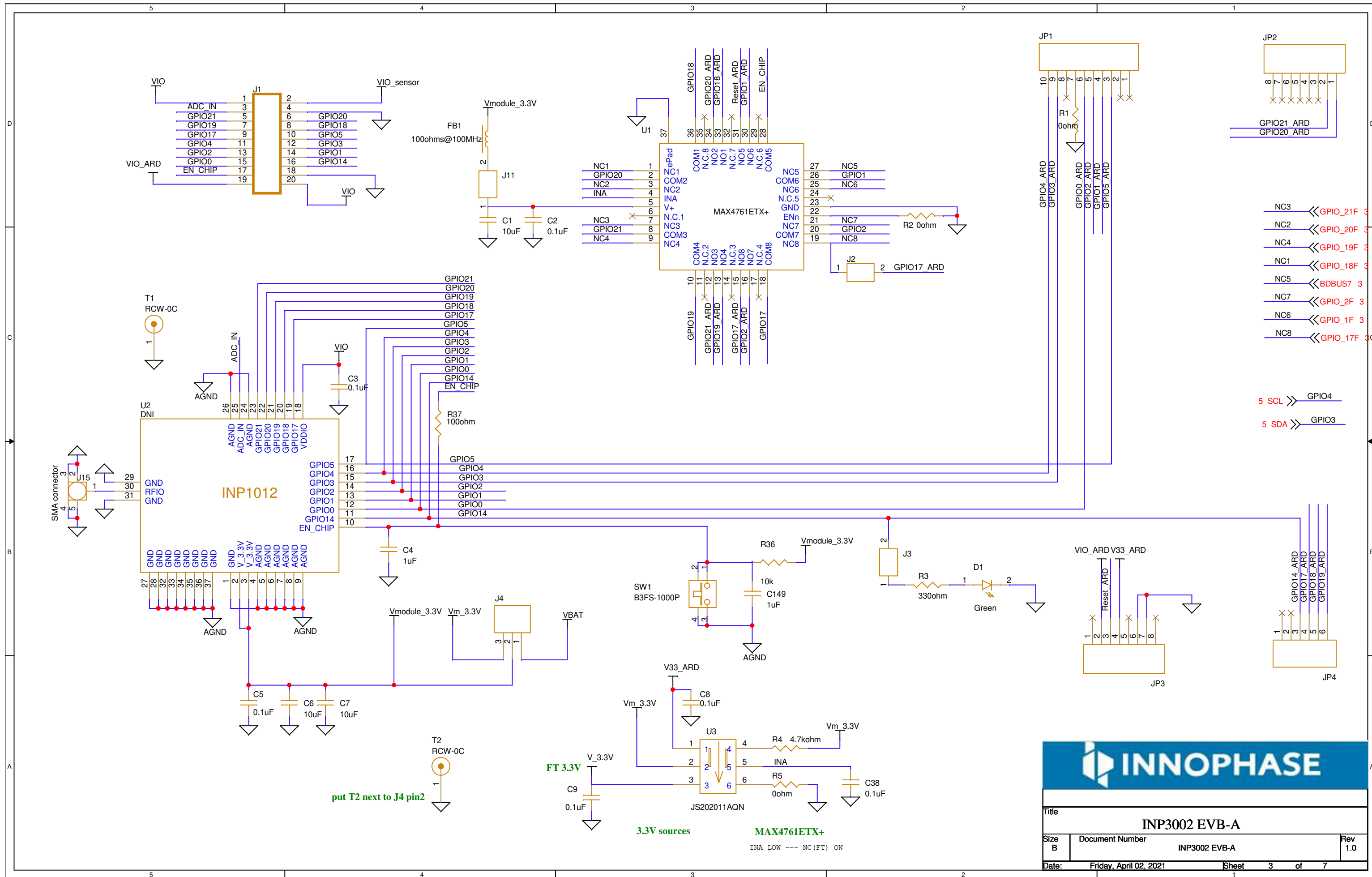
Title: INP3001 EVB-A

Size B	Document Number	Rev 01
	INP2045-EVB-A-R01	

Date: Friday, April 02, 2021 Sheet 2 of 7

put T2 next to J4 pin2

3.3V sources
MAX4761ETX+
INA LOW --- NC(FT) ON



put T2 next to J4 pin2

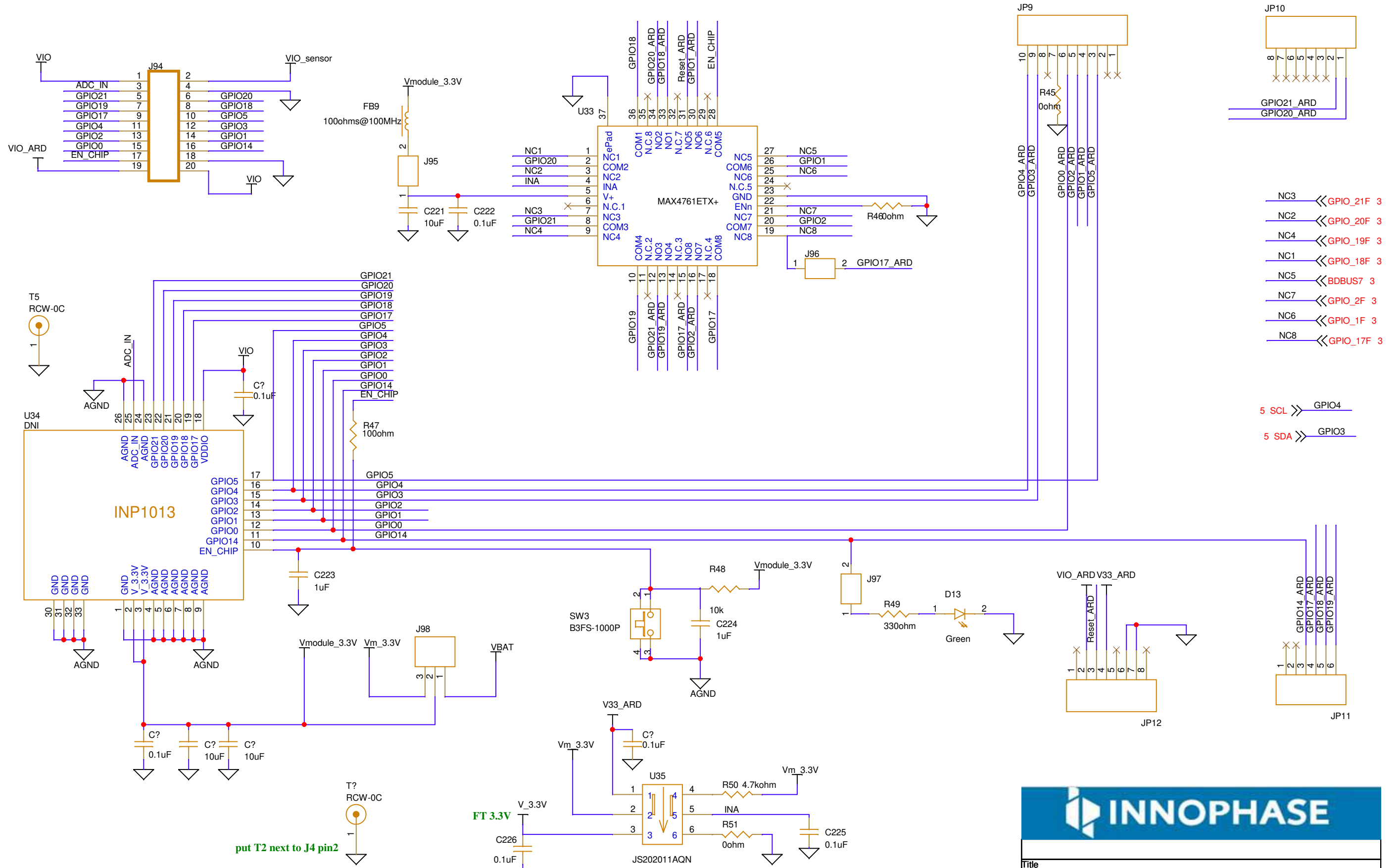
3.3V sources

MAX4761ETX+

INA LOW --- NC(FT) ON



Title		
INP3002 EVB-A		
Size	Document Number	Rev
B	INP3002 EVB-A	1.0
Date:	Friday, April 02, 2021	Sheet 3 of 7



- NC3 << GPIO_21F 3
- NC2 << GPIO_20F 3
- NC4 << GPIO_19F 3
- NC1 << GPIO_18F 3
- NC5 << BDBUS7 3
- NC7 << GPIO_2F 3
- NC6 << GPIO_1F 3
- NC8 << GPIO_17F 3

- 5 SCL >> GPIO4
- 5 SDA >> GPIO3

put T2 next to J4 pin2

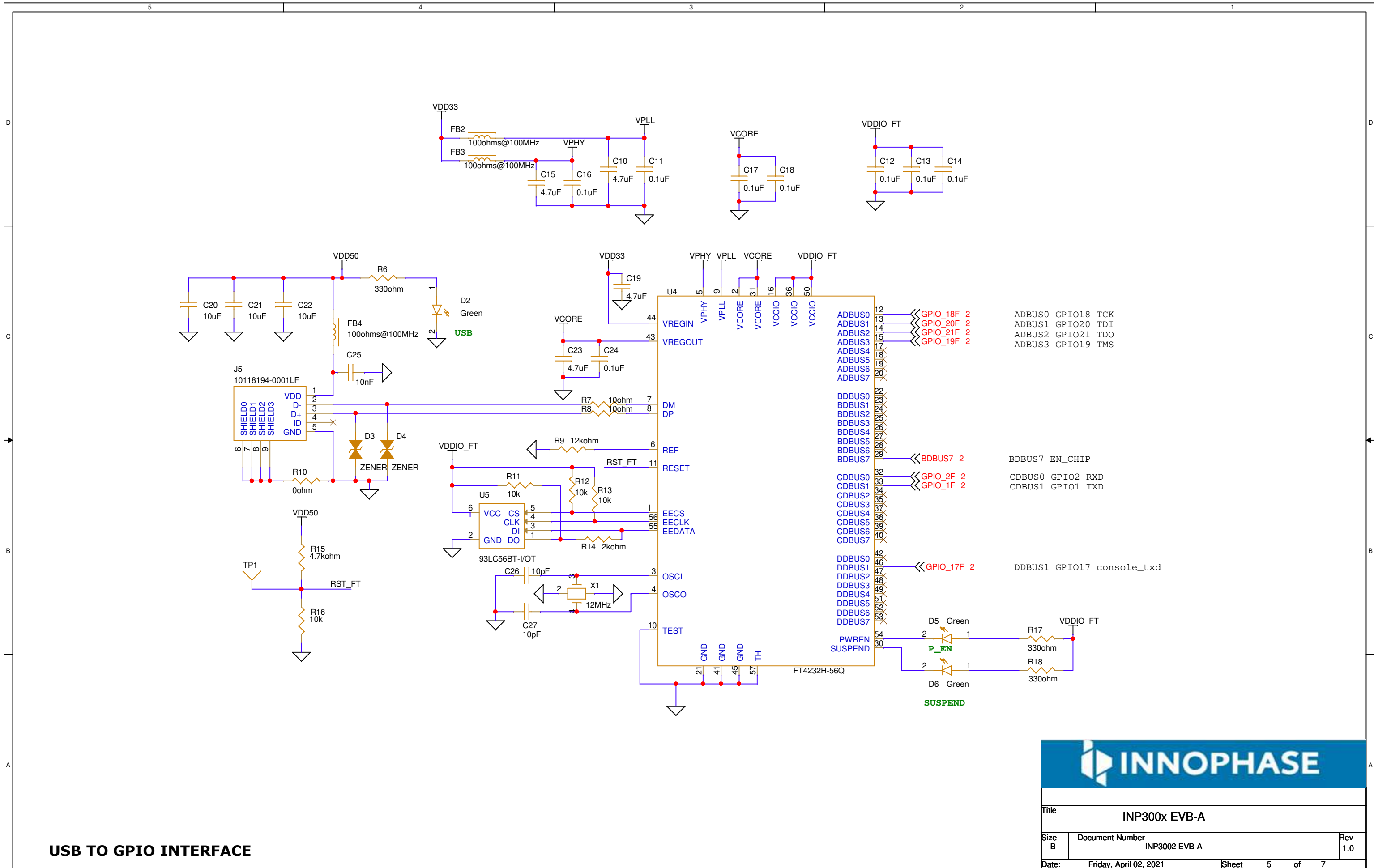
3.3V sources MAX4761ETX+
 INA LOW --- NC (FT) ON

INNOPHASE

Title: **INP3003 EVB-A**

Size B	Document Number: INP3003 EVB-A	Rev 1.0
--------	--------------------------------	---------

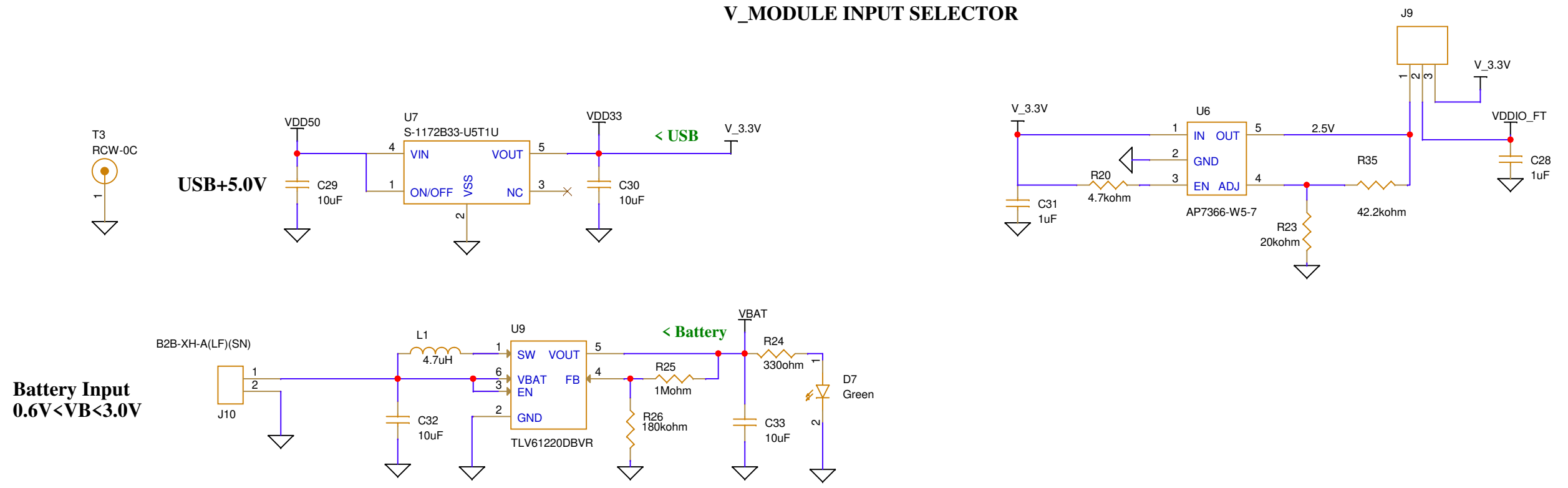
Date: Friday, April 02, 2021 Sheet 4 of 7

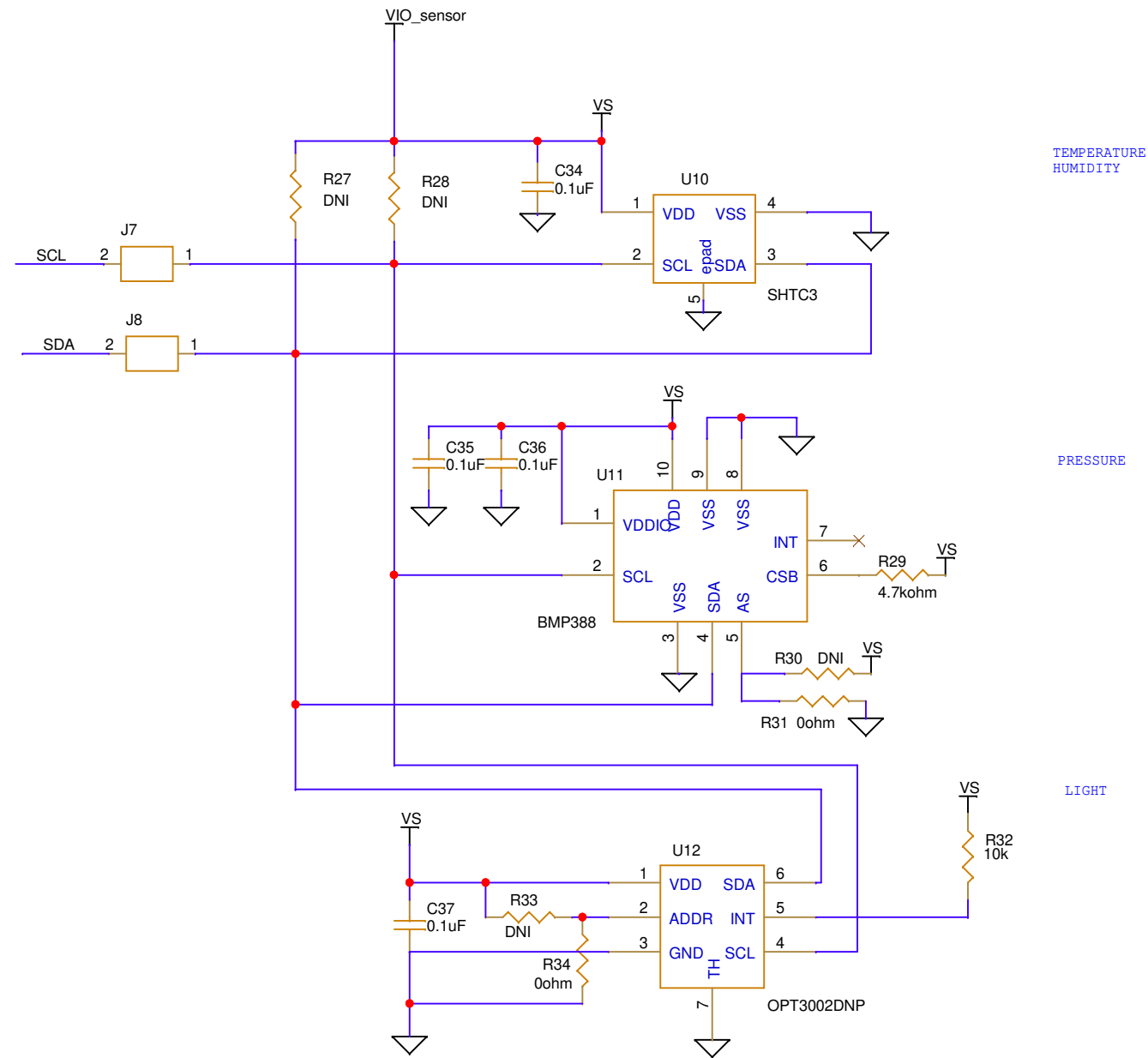


Title		
INP300x EVB-A		
Size	Document Number	Rev
B	INP3002 EVB-A	1.0
Date:	Friday, April 02, 2021	Sheet 5 of 7

USB TO GPIO INTERFACE

V_MODULE INPUT SELECTOR





TEMPERATURE
HUMIDITY

PRESSURE

LIGHT

Part Number	I2C address
SHTC3	0x70
BMP388	0x76
OPT3002DNP	0x44

SCL << SCL 2
SDA << SDA 2

Sensor



Title			INP300x EVB-A		
Size	Document Number				Rev
B	INP3002 EVB-A				1.0
Date:	Friday, April 02, 2021		Sheet	7	of 7